

Installation Instructions Cedar Impressions® D7" Staggered Perfection Shingles and Mitered Cornerpost

These instructions describe and illustrate the steps involved in installing CertainTeed siding and trim. Their purpose is to provide detailed information and how-to tips that will simplify the installation process. CertainTeed shall not accept any liability or responsibility under its written warranty for failure caused by application that does not meet our minimum requirements for proper installation. These requirements are outlined throughout the *CertainTeed Installation Guide (CTS205)*. Any deviations from these requirements should be approved in writing by CertainTeed Corporation.

Important

This product is not designed for roof application. It is designed solely for installation on vertical surfaces.

Panels must be installed with nails over a solid substrate with nail holding strength such as plywood, oriented strand board, or existing wood siding (minimum 7/16" thick). This product cannot be installed with staples.

NOTE: *Each panel must be nailed through the round hole in the center of the nail hem to control the direction of normal expansion and contraction. If you are installing a partial panel and the center nail hole has been cut off, drill a nail hole in the center of the nail hem of the cut panel and nail through it.*

Panel Spacing at Different Temperatures

As with any plastic siding, Cedar Impressions® expands and contracts with changes in temperature. For this reason, it is important that you space the panels according to the panel temperature at the time of installation. Failure to provide the proper spacing according to these temperature ranges may result in gaps that are too large or too small, thereby creating the potential for side lock tabs disengaging, panel distortion, or buckling. Spacing of panels previously installed at a different temperature does not require adjustment.

Each panel has a **PanelThermometer™** that displays panel temperature and indicator lines that serve as guides for proper spacing between the panels. The PanelThermometer is located on the upper right-hand corner of the panel; the indicator lines are on the upper left-hand corner (figure 1).

panel temperature indicator lines

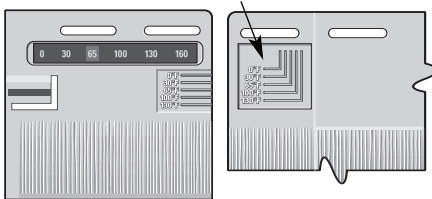


FIGURE 1

Note that the panel temperature may change throughout the day. Space the panels according to the panel temperature at the time of installation.

The cells on the PanelThermometer will change color to indicate the temperature of the panel.

NOTE: *If two temperature cells on the PanelThermometer show a color change, use the brighter color as the indicator.*

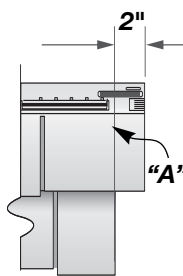
PanelThermometer Reading	Temperature Indicator Lines
0	Set to 0 line
30	Set to 30 line
65	Set to 65 line
100	Set to 100 line
130	Set to 130 line
160	Butt panels tight

If the brighter cell is between the numbered temperature cells, position the panel between the corresponding temperature indicator lines. **Example:** If the PanelThermometer reads 65, align the second panel to the 65 temperature indicator line on the first panel. If the cell between the 65 and 100 is brighter, position the panel between the 65 and 100 temperature indicator lines.

First course

Strike a level line around the house and install Cedar Impressions Starter. If you plan to use Cedar Impressions

FIGURE 2



Mitered Cornerpost, make sure the starter strip is installed to the edge of the corner. An alternative method of starting Cedar Impressions is to use J-channel in place of starter strip to receive the bottom edge of the panel.

1) Cut 2" off the top course of the panel at indicator "A," which is located above the nail slots (figure 2).

2) Starting on the right side of the wall, hook the bottom locking leg of the panel into the starter strip and slide panel into the cornerpost or receiving channel (figure 3). Leave 1/4" space between the panel and the corner for expansion. If you are planning to install the Mitered Cornerpost, space the panel 3" from the corner.

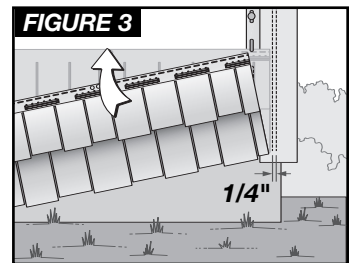
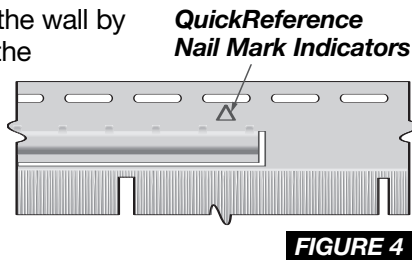
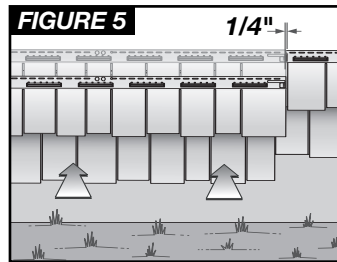


FIGURE 3

- 3) Fasten the panel to the wall by first nailing through the round center hole in the nailing hem at the top of the panel. Continue nailing the panel with 5 nails: one in the right-end nail slot and one at each of the QuickReference™ Nail Mark Indicators (figure 4). Leave 1/8" to 1/16" between the nail heads and the panel to allow freedom of movement during normal expansion and contraction.



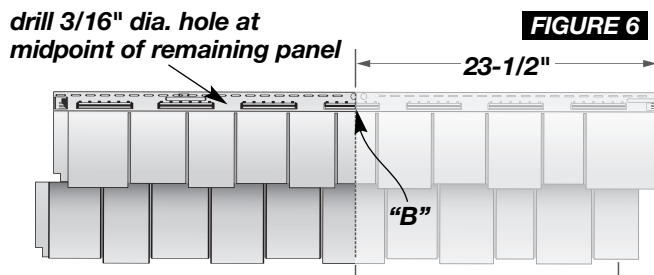
- 4) Install the next panel by positioning it below the starter strip and next to the first panel. Push in and up to lock the panel into the starter strip and the side tabs of the first panel, as shown in figure 5. Space the second panel according to the panel temperature at the corresponding temperature indicator lines (figure 1).



- 5) Nail the panel into position starting with the round center hole and then placing the next nail in the right-end nail slot (which overlaps the previous panel's left-end slot) so that the nail goes through both panels' nail slots simultaneously. Continue nailing the rest of the panel using the procedure in step 3.
- 6) Continue to install remaining panels of first course as described in steps 3 through 5.

Second course

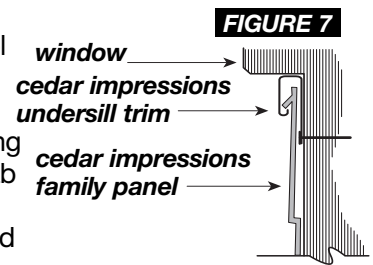
- 7) Cut 23-1/2" off of the right side of the D7 panel at indicator "B," which is located above the nail slots, cutting straight through the panel (figure 6). Drill a 3/16" hole in the center of the nail hem and nail siding through this hole to control direction of expansion and contraction. Another option is to nail each end of a nail slot located at the center of the panel.



- 8) Set the spacing using the PanelThermometer and temperature indicator lines and repeat steps 4-6.
- 9) Continue to stagger panel courses according to steps 1 and 7, alternating each time to ensure a random shingle pattern up the wall.

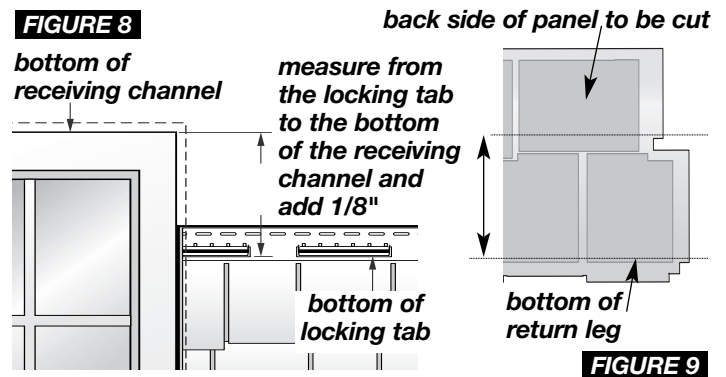
Installing under a window or opening

Install Cedar Impressions undersill trim. Cut the panel to fit under the window. Drill a 3/16" hole in the center of the nail hem. Using a snap lock punch, raise tab faces on the outside of the panel 1/4" from the trimmed edge, 6" apart. Lock the panel into the previous course, and center nail the siding through the 3/16" hole drilled earlier. (Center nailing controls the direction of the panel's expansion and contraction.) Lock the panel into place.



Installing over a window or opening

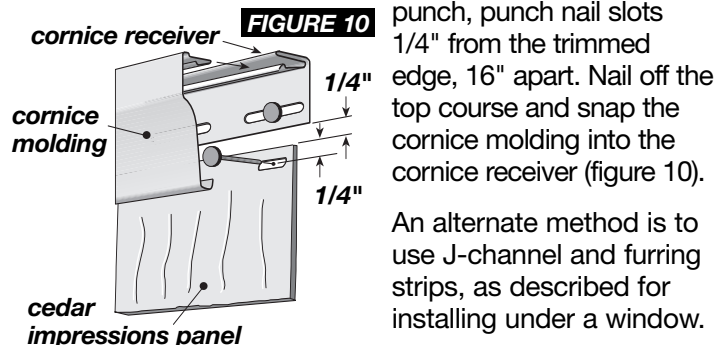
Cut the panel to fit over the window by measuring from the locking tab of the previous row to the bottom of the receiving pocket (figure 8). Add 1/8" to this measurement. Turn the panel over and, using this measurement, measure from the bottom of the return leg (figure 9).



Cut the panel to this dimension. Install the cut panel by positioning the panel over the window and into the receiving pocket. Lock the cut panel into the previous course by pushing in and up. The cut edge should be 1/4" below the top of the receiving pocket.

Finishing the top course

To finish the top course of siding, attach cornice receiver to the top of the wall under the eave or soffit. Trim the top panel to within 1/4" of the cornice receiver. Using a nail slot



punch, punch nail slots 1/4" from the trimmed edge, 16" apart. Nail off the top course and snap the cornice molding into the cornice receiver (figure 10).

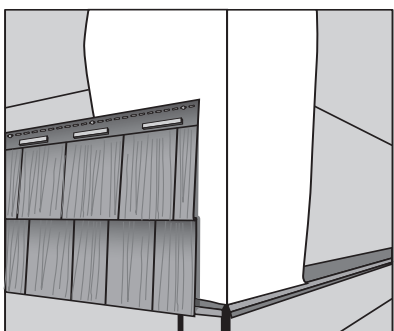
An alternate method is to use J-channel and furring strips, as described for installing under a window.

Installing Mitered Cornerpost

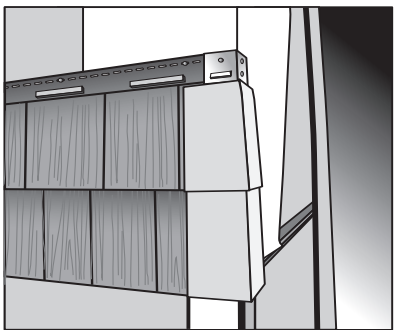
Before applying siding and accessories, make certain the substrate is watertight. To be properly protected from precipitation, make sure you have properly flashed the substrate so that it sheds water outside the siding. The siding and accessories alone are not meant to be a watertight barrier.

For the best appearance and easier installation, we suggest you install Mitered Cornerposts as you move up the wall. If you prefer, you can install Mitered Cornerposts after the siding has been installed.

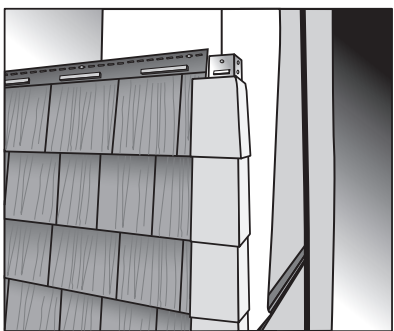
1. Install the first Cedar Impressions panel 3" from the edge of the outside wall.



2. Once the panel has been fastened, hook the corner piece over the siding, making sure the corner piece is locked into the starter strip.



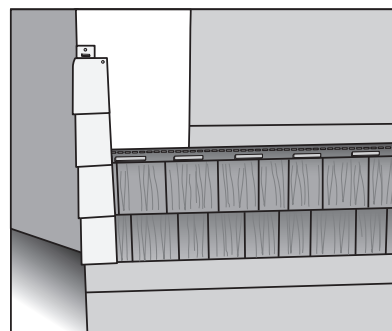
3. Nail through the top two holes of the cornerpost.
4. Continue installing the corner pieces as you move up the wall.



5. When you reach the top panel, cut the corner piece to length and nail it with a color matched finish nail. Leave 1/4" between the top corner piece and the cornice receiver.

If a course of siding ends at an outside corner that has a Mitered Cornerpost installed, you will have to cut the Cedar Impressions panel to fit.

6. Measure from the edge of the last installed panel to the edge of the Cornerpost.
7. Add 1-1/2" to this dimension and cut the panel to length.
8. Angle the panel into the Cornerpost and slide it to the left until the side tabs clear.



9. Then, slide the panel to the right until the correct temperature marks line up.
10. Fasten the panel to the wall.

If you finish the top course of Cedar Impressions siding with cornice molding, you should also install Vinyl Carpentry Cornice Cap. Cornice Cap covers the gap between the two pieces of cornice molding and seamlessly finishes the installation of the Mitered Cornerpost.

If you have any questions about installing these products, please call us at 800-233-8990.