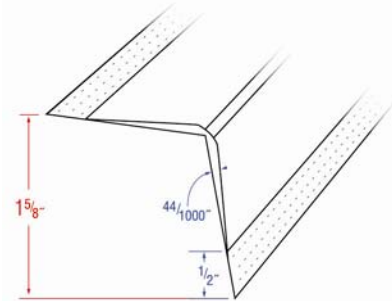


## ULTRATRIM™ INSIDE 90

### CONSTRUCTION

- High strength tapered co-polymer core
- Preformed, uniform, 90 degree angle
- Patent-pending technology – corner adjusts to any inside off-angle
- Surface: Tight fibered, formulated paperboard
- Back: Joint tape paper for uniform surface bonding



### DURABILITY

- Uniform structural bonding with corner prevents cracks and callbacks
- Corners will not dent
- Will not separate from wall
- Will withstand significant shifting due to settling, lumber drying, temperature and humidity variations

### AESTHETIC QUALITIES

- Perfect inside angles every time
- Crisp, sharp lines
- Perfect surface for paint and textures
- Will withstand sanding without surface degradation
- Smoother finish

### PACKAGING

- Available in 8', 9', 10' and 12' lengths
- 50 pieces per carton
- Custom lengths available upon request

### DIMENSIONS

- Co-polymer center thickness approximately .044"
- Co-polymer edge thickness approximately .021"
- Total Flange width = 1.63"
- Co-polymer flange width = 1.13"
- Paperboard edge flap = .50"

Job Name:
Contractor:
Date: