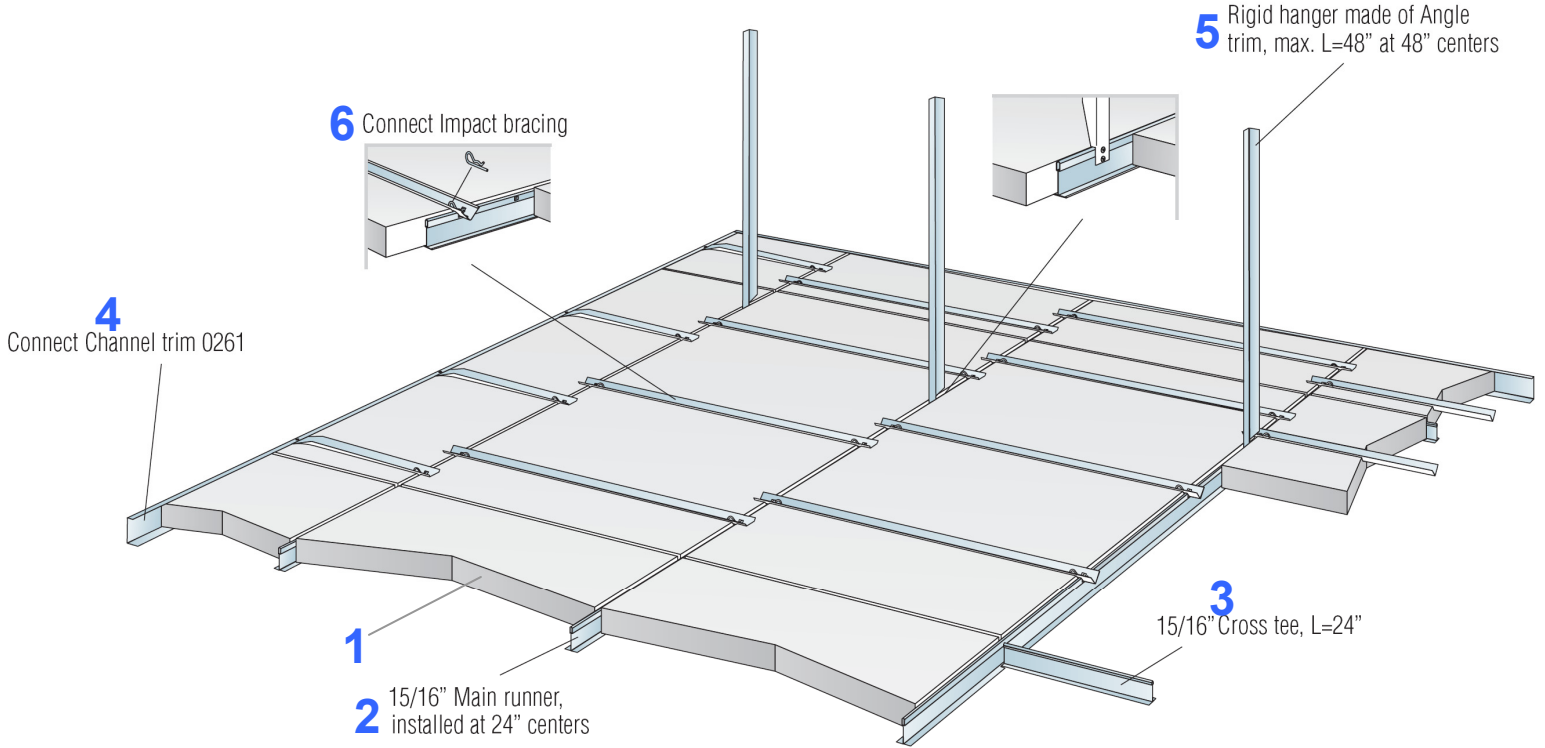


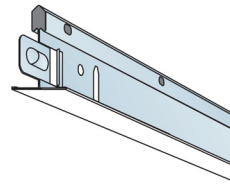
## CertainTeed Ceilings

### Ecophon® Super G Installation Instructions

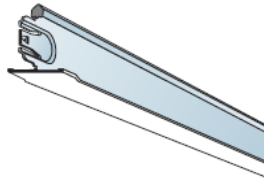


#### Components:

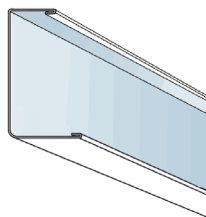
1. Ecophon Super G Panel
2. 15/16" Main Runners  
(Main Runners must be those manufactured with utility holes in the bulb)



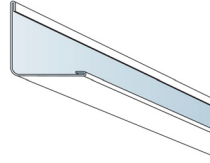
3. 15/16" 2-ft Cross Tees



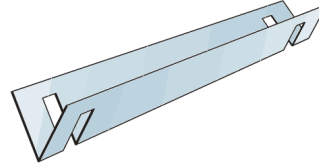
4. Connect Channel Trim 0261



5. CertainTeed Ceilings 15/16" Wall Angle  
(Used a rigid hanger/bracing)



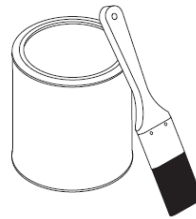
6. Connect Impact bracing 3355  
(Split Pins included)



7. 12 Gauge Hanger Wire  
(As needed)


Additional Components:

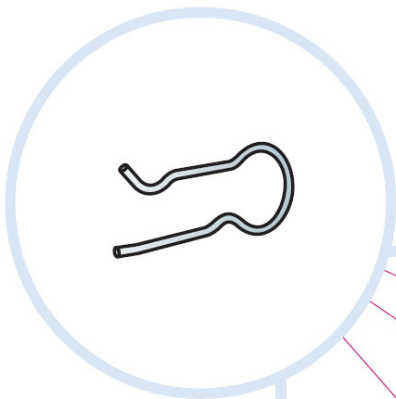
8. Connect Edge Sealant 0691



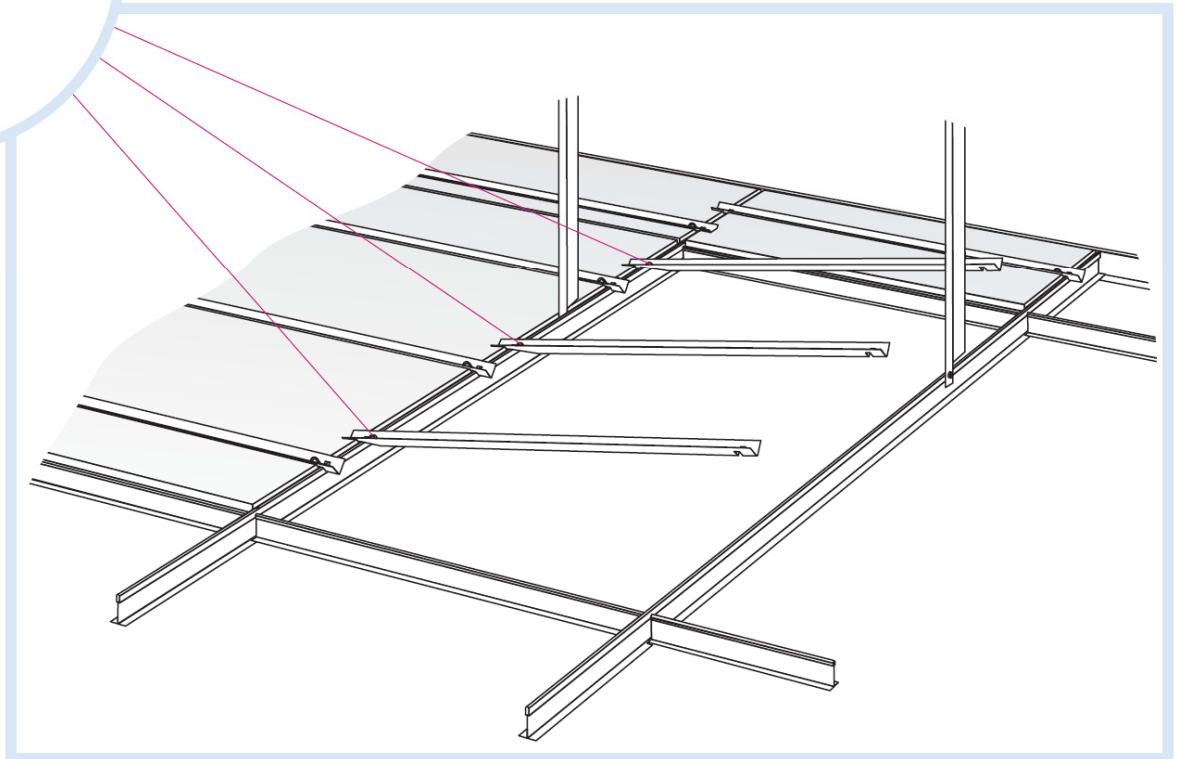
*Wear clean white cotton gloves when handling Super G panels.*

Pre-Installation: Please read CertainTeed Ceiling's Pre-Installation Instructions before you begin these installation instructions.

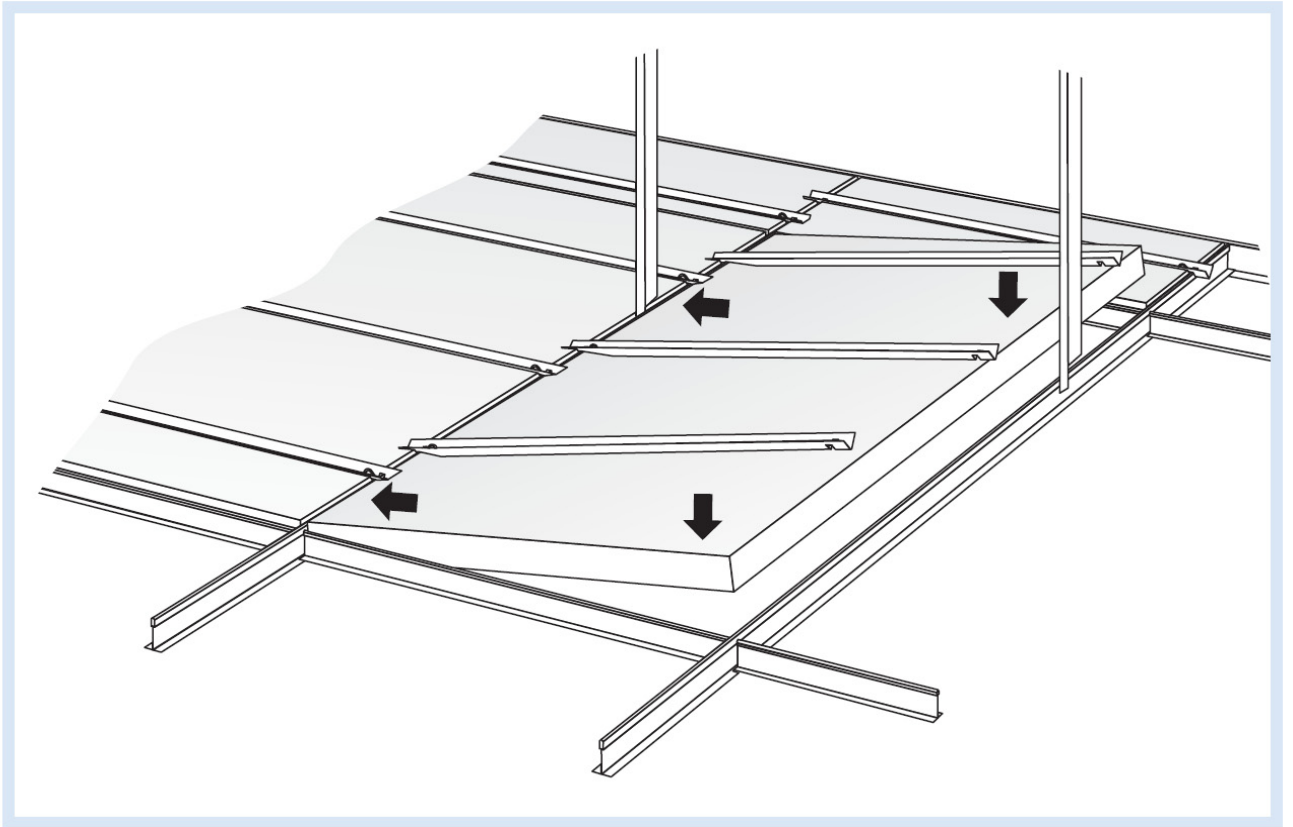
Panel Size	 Needed
2x2	2
2x4	3



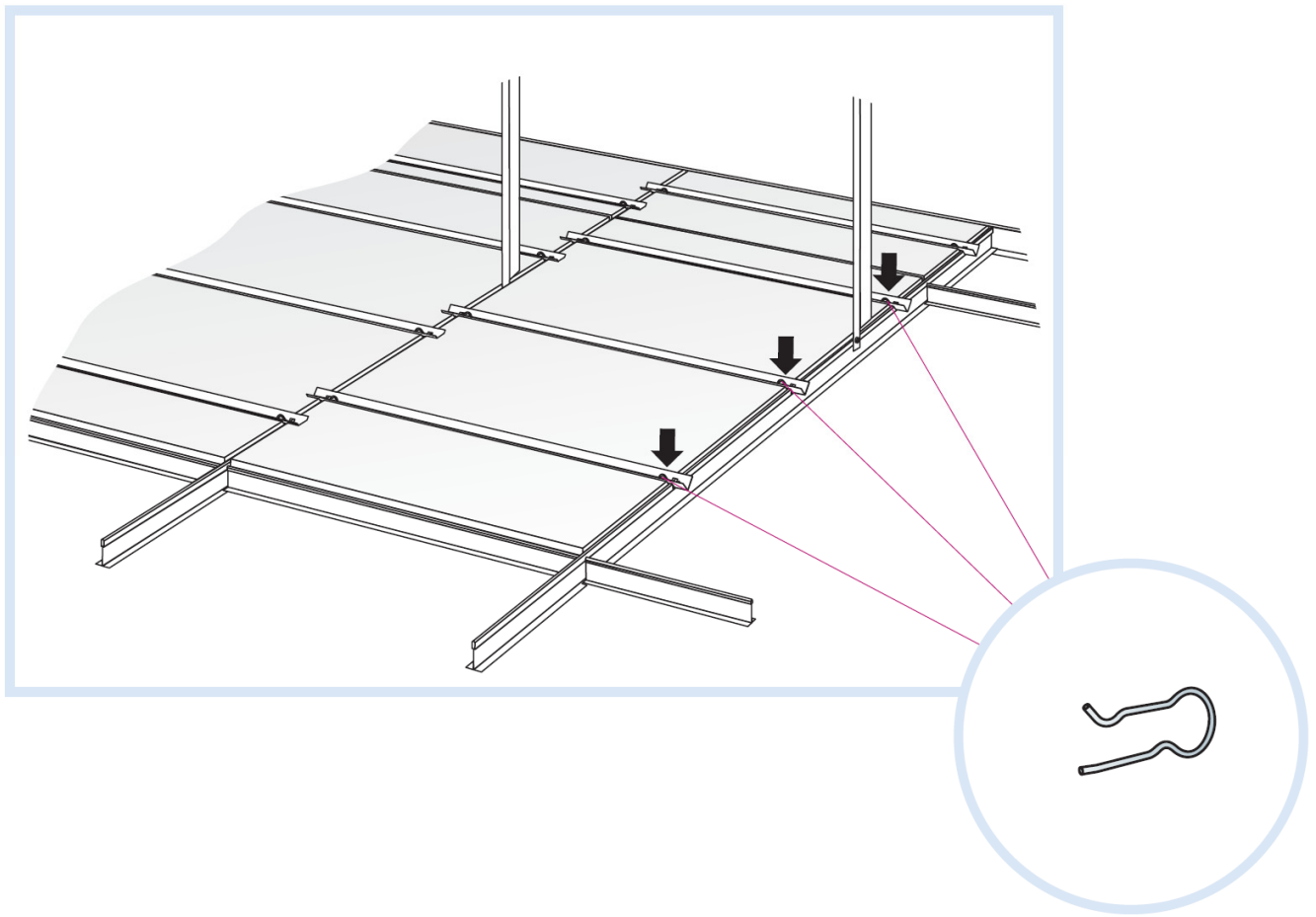
1



2



3



**FOR PRODUCT AND INSTALLATION QUESTIONS:**

- Call 1-800-233-8990 (Monday-Thursday: 7:30 am-6:30 pm; Friday: 7:30 am-6:00 pm EST); English, Spanish and French speakers available. Or email [ceilingtechnicalservices@certainteed.com](mailto:ceilingtechnicalservices@certainteed.com).

**ASK ABOUT ALL OF OUR OTHER CERTAINTEED® PRODUCTS AND SYSTEMS:**

ROOFING • SIDING • TRIM • WINDOWS • DECKING • RAILING • FENCE  
INSULATION • GYPSUM • CEILINGS • FOUNDATIONS • PIPE

[www.certainteed.com](http://www.certainteed.com)    <http://blog.certainteed.com>

CertainTeed Corporation  
P.O. Box 860  
Valley Forge, PA 19482

Professional: 800-233-8990  
Consumer: 800-782-8777

© 05/10 CertainTeed Corporation  
Code No. CTC-4808

