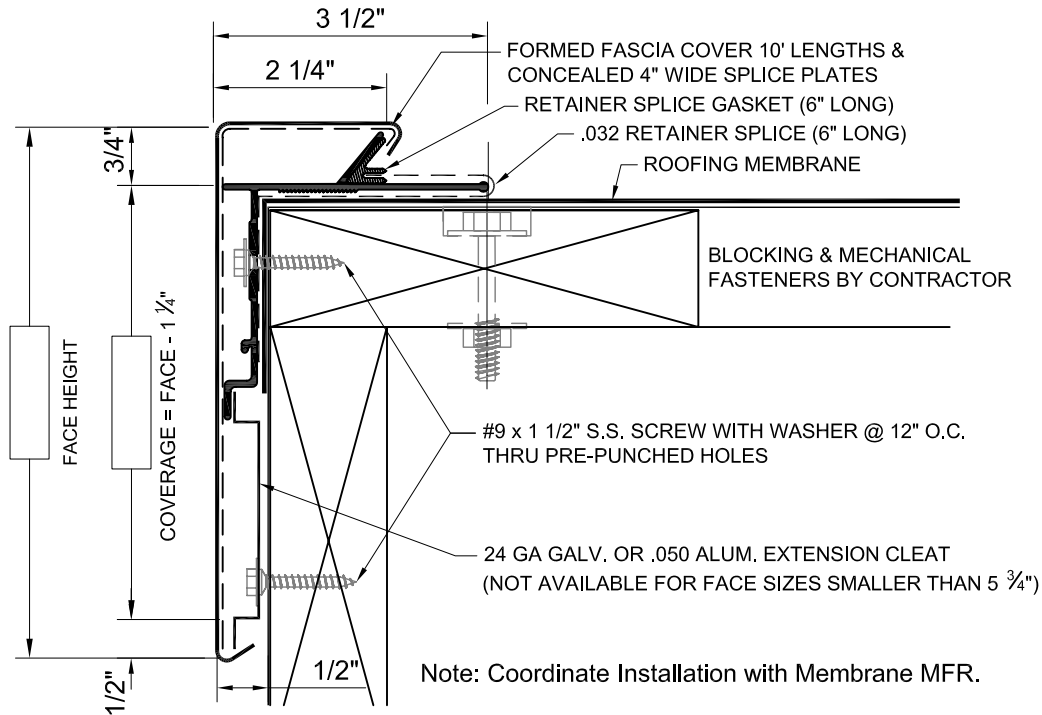


\* Please contact manufacturer for verification of test report data on your specific project



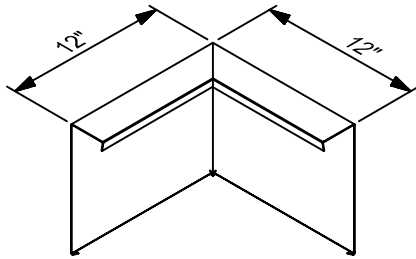
<b>QUANTITY, THIS DETAIL</b> _____ TOTAL LF _____ OUTSIDE CORNERS _____ INSIDE CORNERS _____ SPECIAL CORNERS (attach sketches) _____ END CAP - L _____ END CAP - R _____ SPILLOUT _____ SUMP _____ RADIUS LF _____ RADIUS CORNERS (attach sketches)	<b>MATERIAL</b> <input type="checkbox"/> ALUMINUM <input type="checkbox"/> GALVANIZED <input type="checkbox"/> _____	<b>ACCESSORY TYPE</b> <input type="checkbox"/> FOLDED <b>WELDED CORNERS ARE NOT AVAILABLE FOR THIS PRODUCT.</b>	<b>FINISH</b> <input type="checkbox"/> MILL FINISH <input type="checkbox"/> PREFINISHED KYNAR <input type="checkbox"/> POST FINISHED KYNAR <input type="checkbox"/> PREFINISHED ANODIZE <input type="checkbox"/> POST FINISHED ANODIZE <input type="checkbox"/> _____ <b>.063 PREFINISHED KYNAR IS ONLY AVAILABLE IN 7 STD. COLORS.</b>
	<b>THICKNESS</b> <input type="checkbox"/> .032 <input type="checkbox"/> .040 <input type="checkbox"/> .050 <input type="checkbox"/> .063 <input type="checkbox"/> 24 GA <input type="checkbox"/> _____	<b>COLOR</b> _____	

<b>Transmittal</b> <input type="checkbox"/> REQUEST FOR QUOTATION <input type="checkbox"/> SUBMIT FOR APPROVAL <input type="checkbox"/> REQUEST FOR INFORMATION <input type="checkbox"/> CONFIRMING TELECONFERENCE <input type="checkbox"/> FOR YOUR FILES By _____ Date _____	<b>Customer Approval</b> <input type="checkbox"/> APPROVED FOR FABRICATION <input type="checkbox"/> APPROVED AS NOTED <input type="checkbox"/> AMEND & RESUBMIT _____ <b>Authorized Customer Signature</b> _____ <b>Title</b> _____ <b>Date</b> _____
--	--

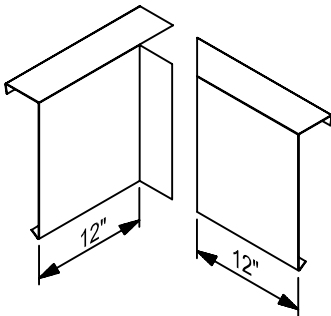
<b>Job Name</b>	<b>Job #</b>
<b>Location</b>	<b>Sheet of</b>
<b>Customer</b>	<b>By</b>
<b>Representative</b>	<b>Date</b>
<b>Architect</b>	

# FlintEdge Fascia ET with Extender

Fascia Model	Fascia Face Height	Coverage
	in.	
FEX-375	3 3/4	2 1/2
FEX-575	5 3/4	4 1/2
FEX-675	6 3/4	5 1/2
FEX-825	8 1/4	7
FEX-975	9 3/4	8 1/2
FEX-1125	11 1/4	10
FEX-1275	12 3/4	11 1/2



**STD. OUTSIDE CORNER**



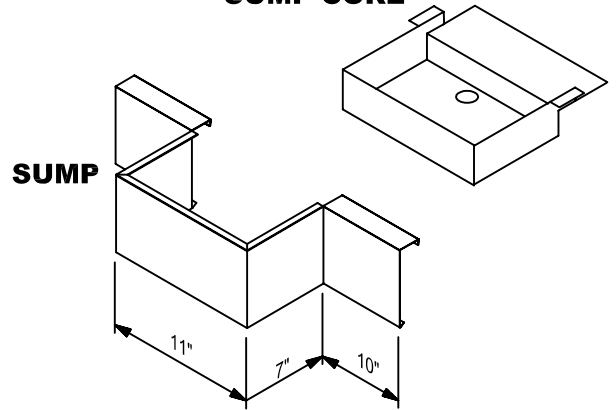
**STD. INSIDE CORNER**

STANDARD FASCIA CORNERS ARE 90° - 24" X 24".  
STANDARD END CAPS ARE 24" LONG.

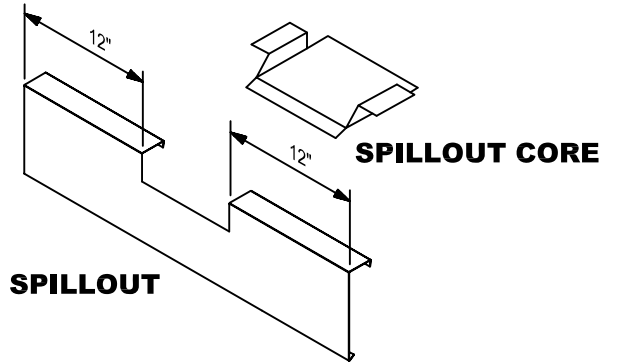
FOR SPECIAL CORNER REQUIREMENTS, ATTACH  
SKETCHES OR CONSULT MFR. FOR ASSISTANCE.

MINIMUM AND MAXIMUM SIZES ARE INDICATED.  
INTERMEDIATE SIZES MAY BE SPECIFIED WITHIN THESE  
RANGES. CONSULT MFR. FOR REQUIREMENTS NOT  
WITHIN THESE RANGES.

**SUMP CORE**



**SUMP**



**SPILLOUT CORE**

**SPILLOUT**

