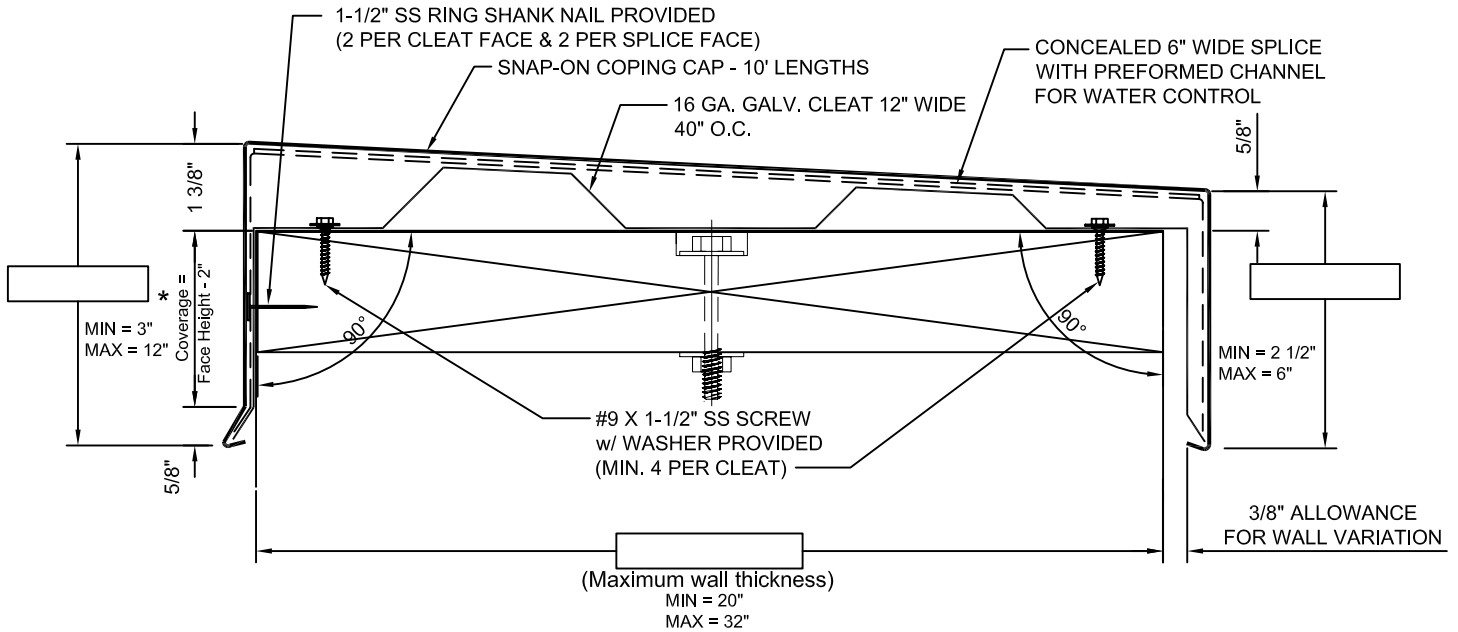


## FlintEdge Coping+ Order /Specification Form

(For Parapets 20" - 32")

**ANSI/SPRI ES-1 Tested\***

\* Please contact manufacturer for verification of test report data on your specific project



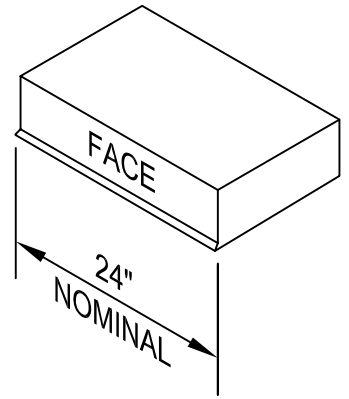
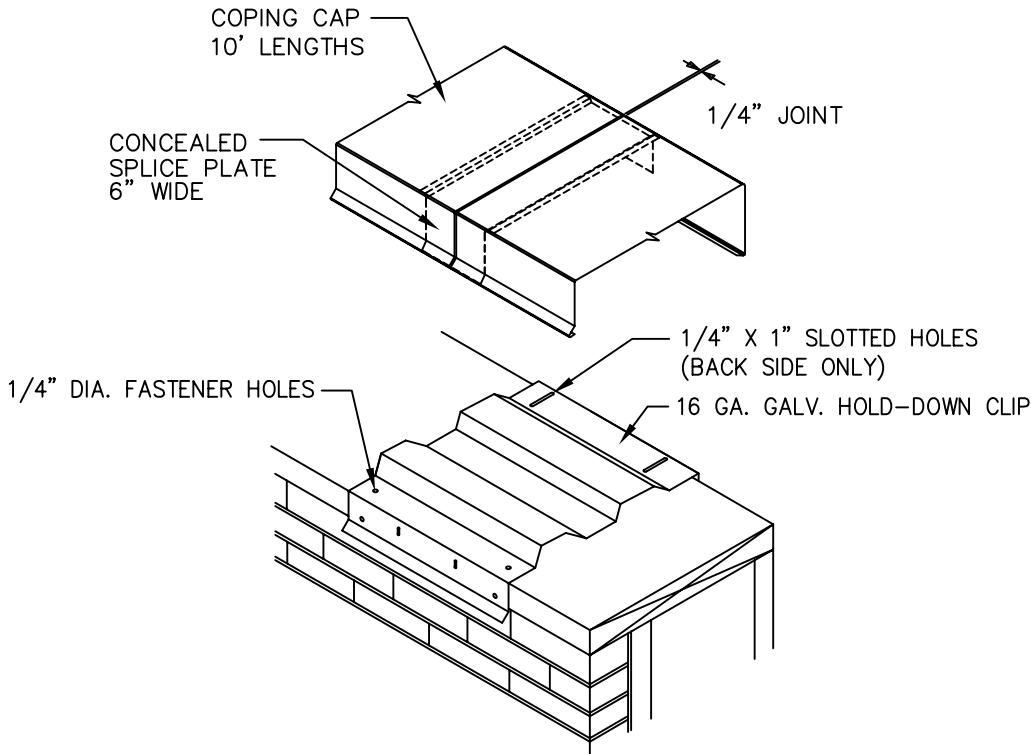
\* Minimum 4 1/2" face required for proper coverage of 2x nailer

QUANTITY, THIS DETAIL	MATERIAL	ACCESSORY TYPE	FINISH
_____ TOTAL LF	<input type="checkbox"/> ALUMINUM	<input type="checkbox"/> WELDED	<input type="checkbox"/> MILL FINISH
_____ OUTSIDE CORNERS	<input type="checkbox"/> GALVANIZED	<input type="checkbox"/> METAL-LOK	<input type="checkbox"/> PREFINISHED KYNAR
_____ INSIDE CORNERS	<input type="checkbox"/> _____	<b>* IF ACCESSORY TYPE IS NOT CHECKED, WE WILL ASSUME METAL-LOK.</b>	<input type="checkbox"/> POST FINISHED KYNAR
_____ SPECIAL CORNERS (attach sketches)	<b>THICKNESS</b>		<input type="checkbox"/> PREFINISHED ANODIZE
_____ END CAP - L	<input type="checkbox"/> .050		<input type="checkbox"/> POST FINISHED ANODIZE
_____ END CAP - R	<input type="checkbox"/> .063		<input type="checkbox"/> _____
_____ END TERM - L	<input type="checkbox"/> .080		<b>.063 PREFINISHED KYNAR IS ONLY AVAILABLE IN 7 STD. COLORS.</b>
_____ END TERM - R	<input type="checkbox"/> .125		
_____ RADIUS LF (60" PCS)	<input type="checkbox"/> _____		<b>COLOR _____</b>
_____ RADIUS CORNERS (attach sketches)			

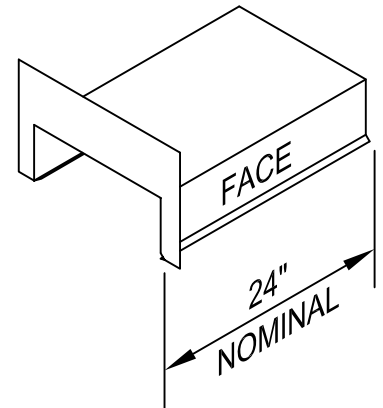
<p>TRANSMITTAL</p> <p><input type="checkbox"/> REQUEST FOR QUOTATION    <input type="checkbox"/> REQUEST FOR INFORMATION</p> <p><input type="checkbox"/> SUBMIT AS QUOTATION    <input type="checkbox"/> CONFIRMING TELCON</p> <p><input type="checkbox"/> SUBMIT FOR APPROVAL    <input type="checkbox"/> FOR YOUR FILES</p> <p>BY: _____ DATE: _____</p>	<p>CUSTOMER APPROVAL :</p> <p><input type="checkbox"/> APPROVED FOR FABRICATION _____</p> <p><input type="checkbox"/> APPROVED WITH CHANGES    AUTHORIZED CUSTOMER SIGNATURE _____</p> <p><input type="checkbox"/> DISAPPROVED, RESUBMIT _____</p> <p>TITLE _____ DATE _____</p>
--	--

JOB NAME	JOB #
LOCATION	SHEET OF
CUSTOMER	BY
REPRESENTATIVE	DATE
ARCHITECT	

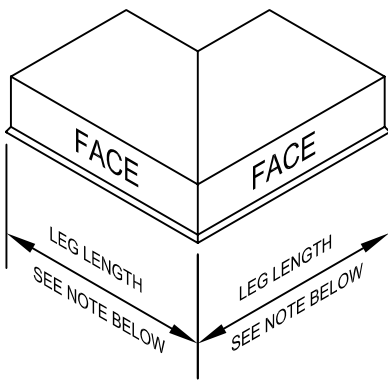
# FlintEdge Coping+



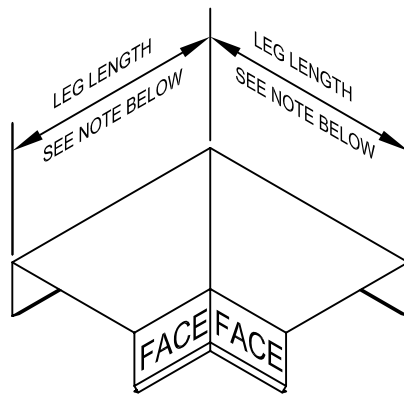
END CAP  
RIGHT HAND SHOWN



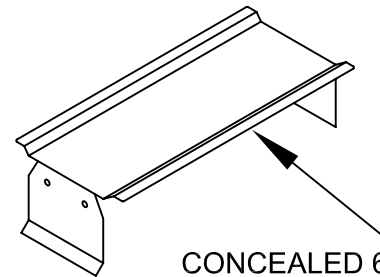
END TERM  
LEFT HAND SHOWN



OUTSIDE CORNER



INSIDE CORNER



STANDARD COPING CORNERS LEG LENGTHS:  
 LENGTH = 23 1/4" FOR 6" - 16" WALL WIDTHS  
 LENGTH = 29 1/4" FOR 17" - 23" WALL WIDTHS  
 LENGTH = CUSTOM FOR WALL WIDTHS > 23"

FOR SPECIAL CORNER REQUIREMENTS, ATTACH SKETCHES, OR  
 CONSULT MFR. FOR ASSISTANCE.