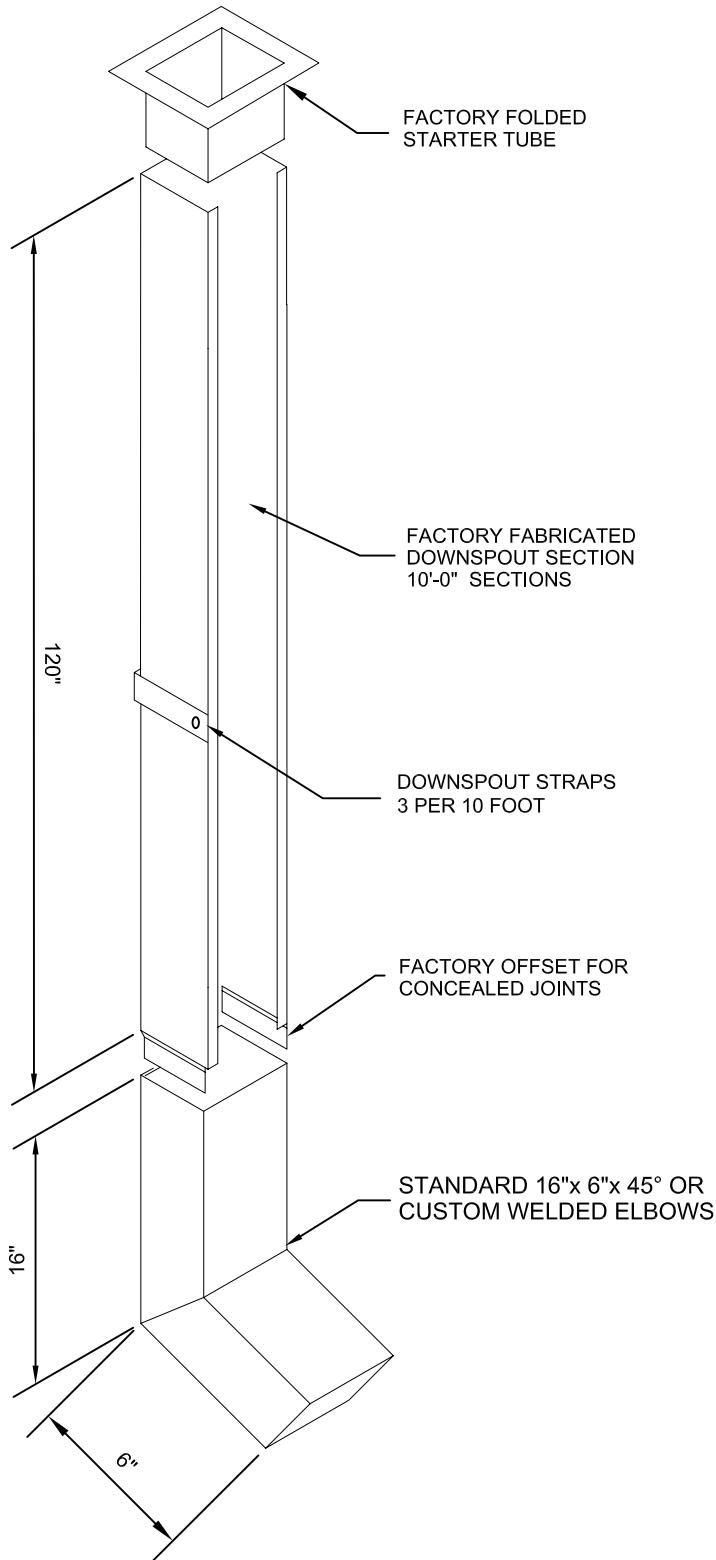


DETAIL:	ARCHITECTURAL REF:	DESCRIPTION:			
<b>QUANTITY, this detail</b> ___ PCS STOCK @10'-0" ___ PCS STARTER TUBES ___ PCS STD. ELBOWS (attach sketches)  ___ SOFFIT ELBOWS STYLE 1 ANGLE @ _____  ___ SOFFIT ELBOWS STYLE 2 ANGLE @ _____		<b>MODEL</b> <input type="checkbox"/> DS34 <input type="checkbox"/> DS44 <input type="checkbox"/> DS45 <input type="checkbox"/> DS46 <input type="checkbox"/> DS66 <input type="checkbox"/> CUSTOM+	<b>OPTIONS</b> <input type="checkbox"/> _____ <input type="checkbox"/> _____	<b>CUSTOM SIZE</b> A= _____ B= _____  <b>THICKNESS</b> <input type="checkbox"/> .032 <input type="checkbox"/> .040 <input type="checkbox"/> .050 <input type="checkbox"/> .063 <input type="checkbox"/> 24 GA <input type="checkbox"/> _____	<b>MATERIAL</b> <input type="checkbox"/> ALUMINUM <input type="checkbox"/> GALV. STEEL <input type="checkbox"/> _____  <b>FINISH</b> <input type="checkbox"/> MILL FINISH <input type="checkbox"/> KYNAR 500 <input type="checkbox"/> CLEAR ANODIZED <input type="checkbox"/> BRONZE ANODIZED <input type="checkbox"/> BLACK ANODIZED <input type="checkbox"/> _____ <b>COLOR</b> _____
see size chart on back					

<b>TRANSMITTAL</b> <input type="checkbox"/> REQUEST FOR QUOTATION <input type="checkbox"/> SUBMIT AS QUOTATION <input type="checkbox"/> SUBMIT FOR APPROVAL <input type="checkbox"/> REQUEST FOR INFORMATION <input type="checkbox"/> CONFIRMING TELECONFERENCE <input type="checkbox"/> FOR YOUR FILES  BY _____ DATE _____	<b>CUSTOMER APPROVAL</b> <input type="checkbox"/> APPROVED FOR FABRICATION <input type="checkbox"/> APPROVED AS NOTED <input type="checkbox"/> AMEND & RESUBMIT  _____ authorized customer signature  _____ title date
--	---

JOB NAME	JOB#
LOCATION	SHEET OF
CUSTOMER	BY
REPRESENTATIVE	DATE
ARCHITECT	

# FlintEdge Open Face Downspout



Model	Face Width		Side Depth	
	A	B	A	B
	in.	mm	in.	mm
DS34	4	102	3	76
DS44	4	102	4	102
DS45	5	127	4	102
DS46	6	152	4	102
DS66	6	152	6	152

CAN BE USED WITH FLINTEGE FASCIA SUMPS OR CUSTOM DESIGNED GUTTERS

STANDARD 16"x 6"x 45° OR CUSTOM WELDED ELBOWS

AVAILABLE IN ALL QUALITY ALUMINUM FINISHES

